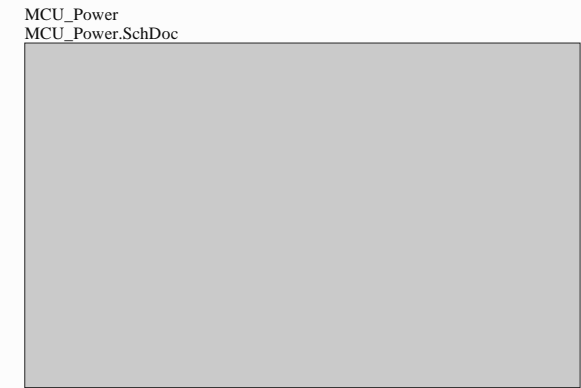
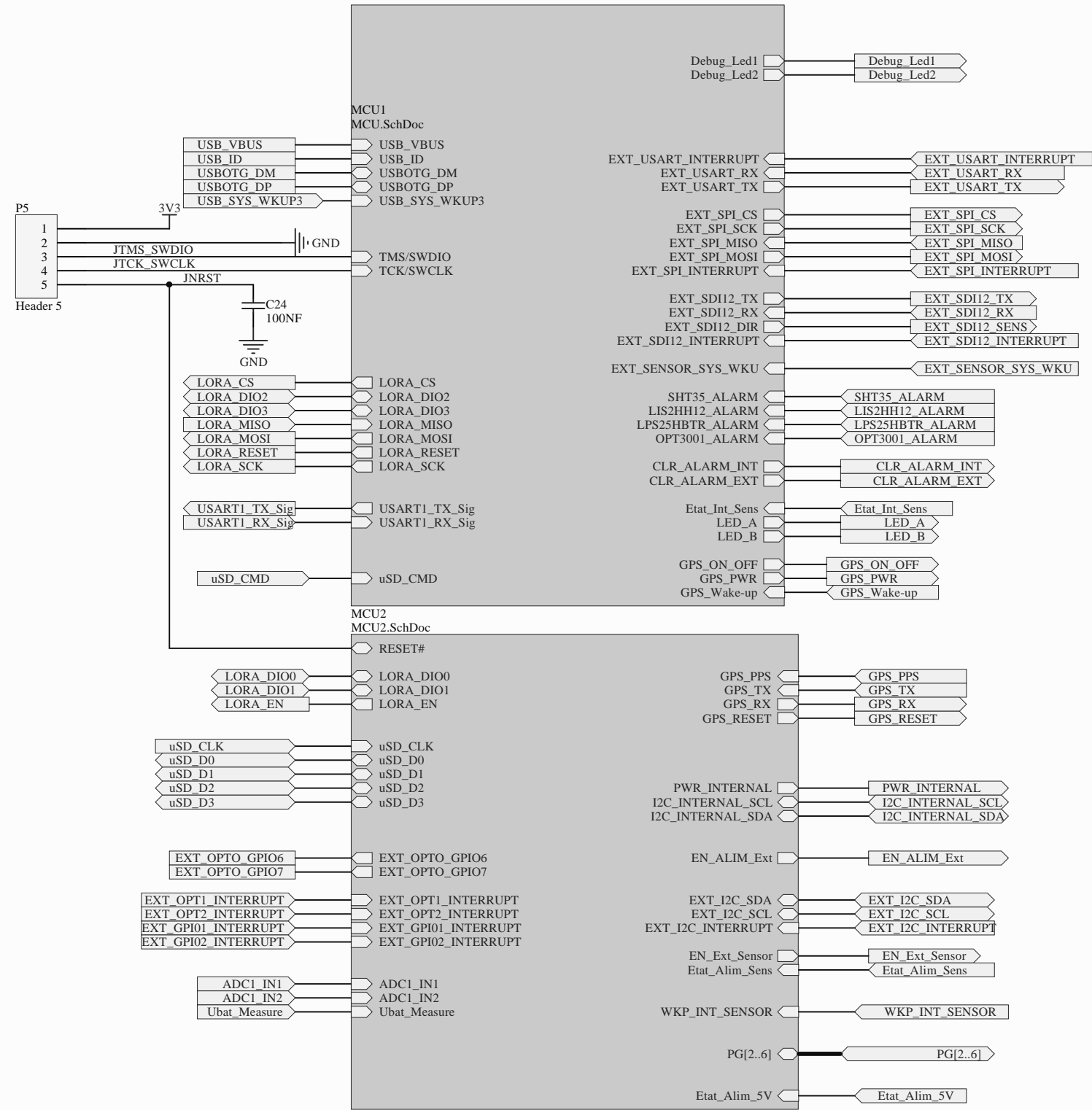


Title *		
Size: A3	Number:1	Revision:*
Date: 11/01/2019	Time: 09:50:48	Sheet1 of 17
File: \\NASSTEP\homes\CNRS_LoRa\ConnecSensProd2\ConnecSens\MainSheet.SchDoc		

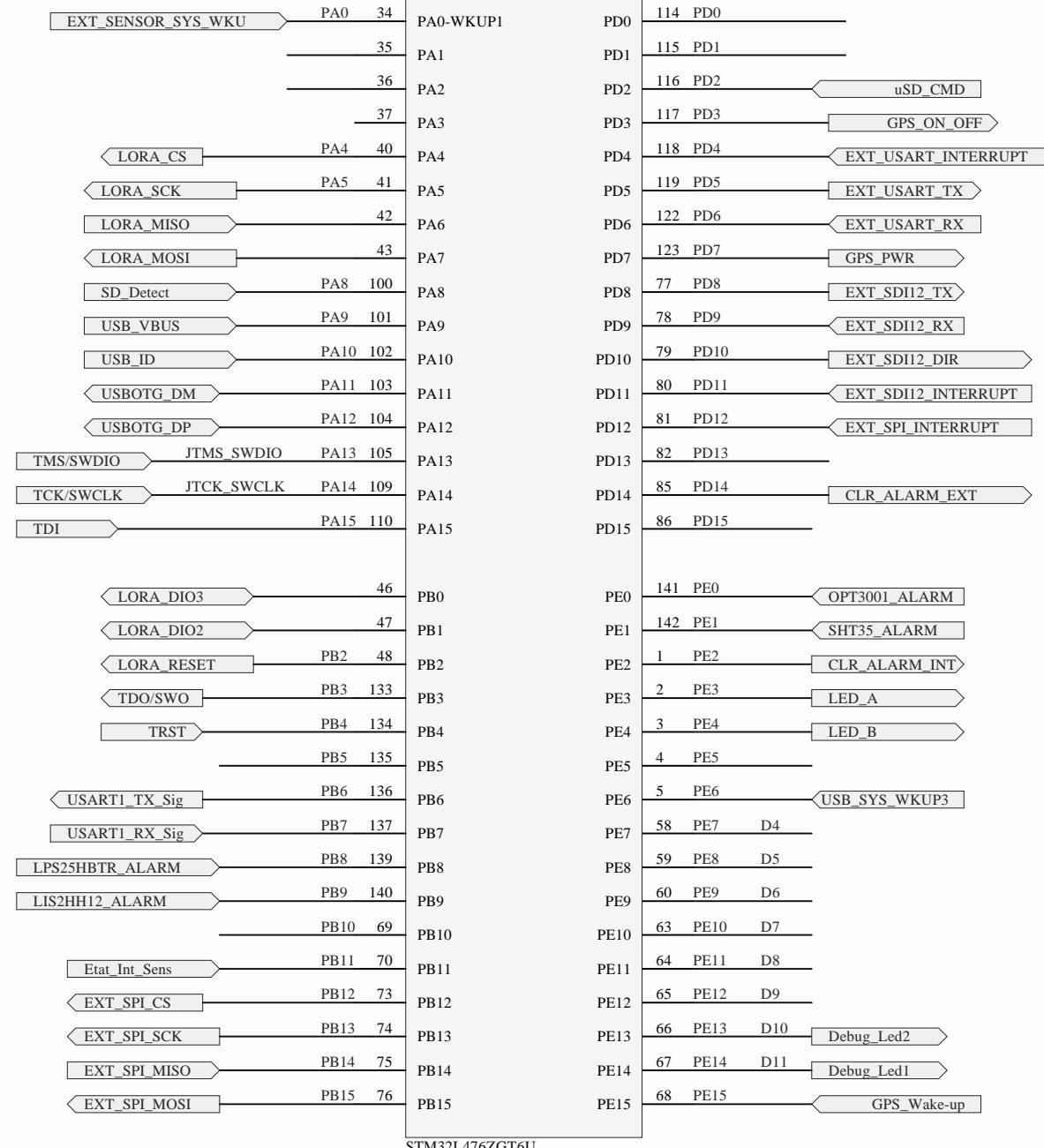




Title *			*
Size: A3	Number:2	Revision:*	*
Date: 11/01/2019	Time: 09:50:48	Sheet2 of 17	*
File: \\NASSTEP\homes\CNRS_LoRa\ConnecSensProd2\ConnecSens\STM32L4.SchDoc			*



U7A



STM32L476ZGT6U

PA[0..15] PA[0..15]  
 PB[0..15] PB[0..15]  
 PD[0..15] PD[0..15]  
 PE[0..15] PE[0..15]

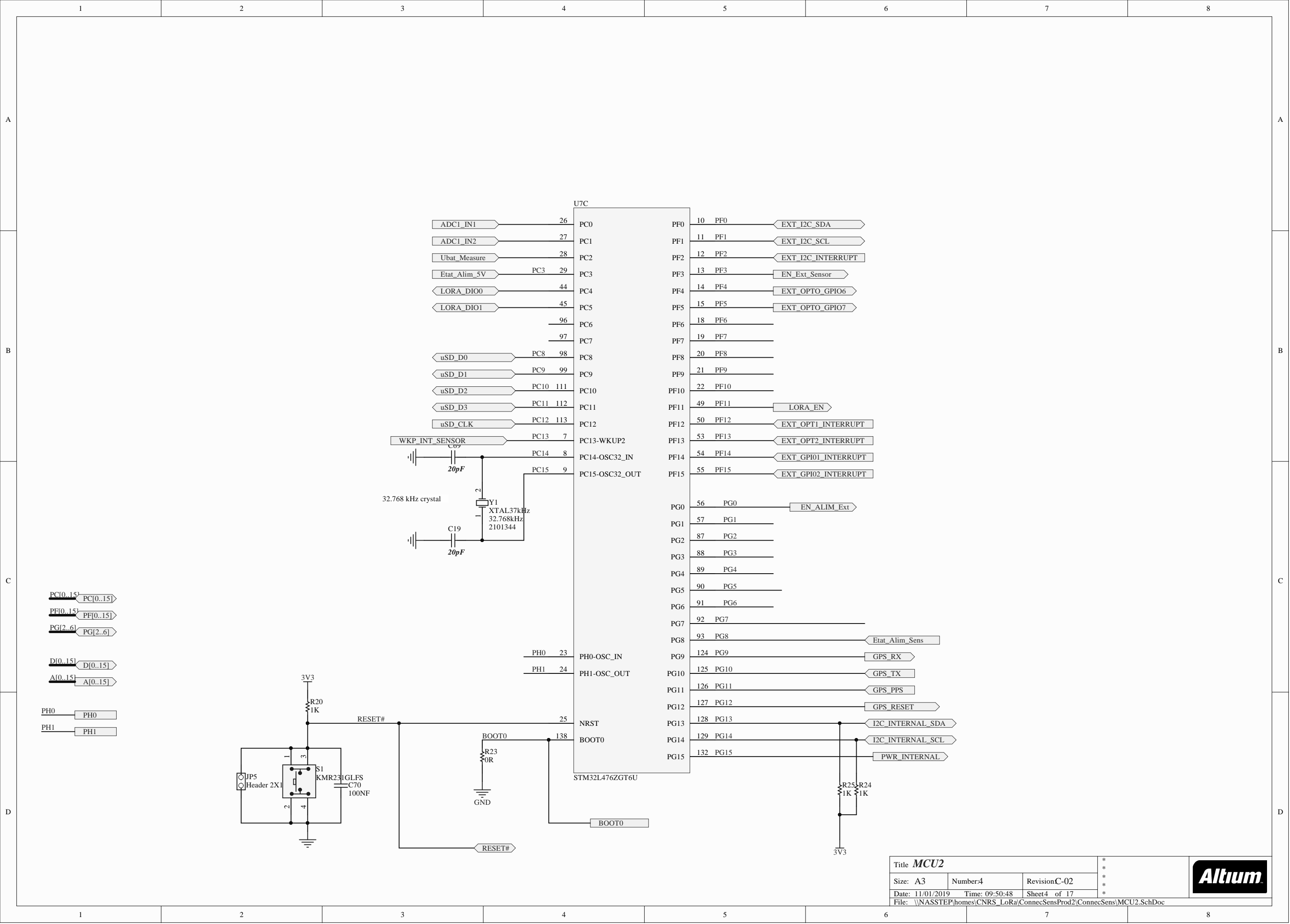
D[0..15] D[0..15]  
 A[20..22] A[20..22]  
 RESET# RESET#

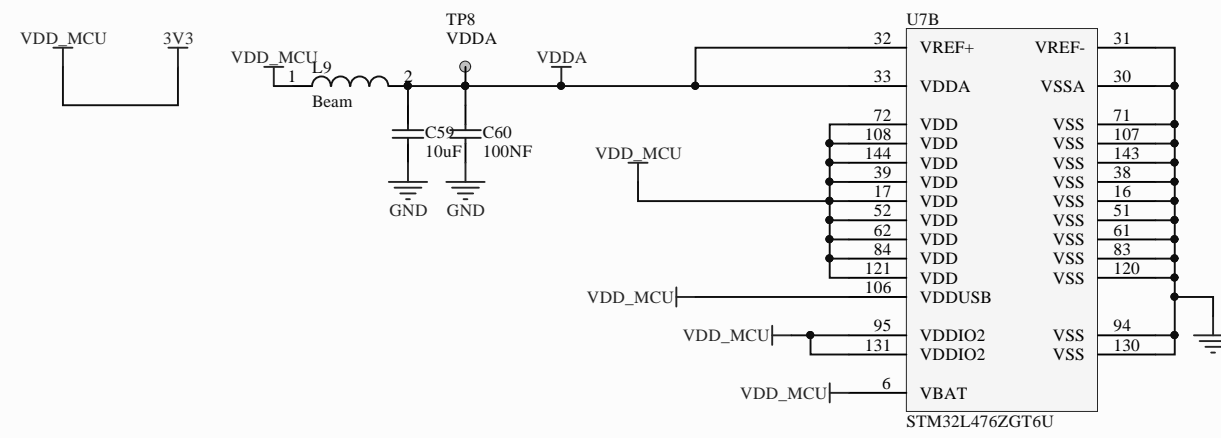
LCD[0..3] LCD[0..3]  
 LCD[7] LCD[7]

LCD[0..17] LCD[0..17]  
 LCD[28..39] LCD[28..39]  
 LCD[21] LCD[21]

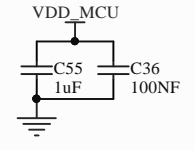
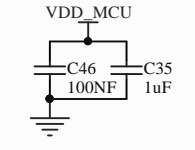
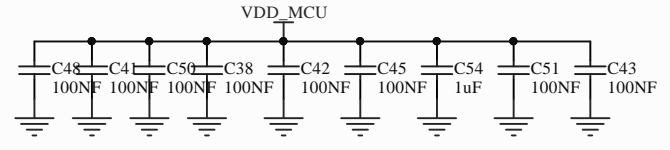
Title *			*
Size: A3	Number:3	Revision:*	*
Date: 11/01/2019	Time: 09:50:48	Sheet3 of 17	*
File: \\NASSTEP\homes\CNRS_LoRa\ConnecSensProd2\ConnecSens\MCU.SchDoc			*







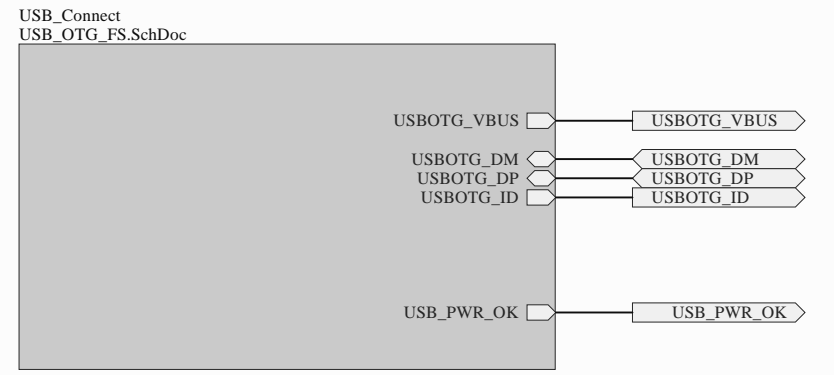
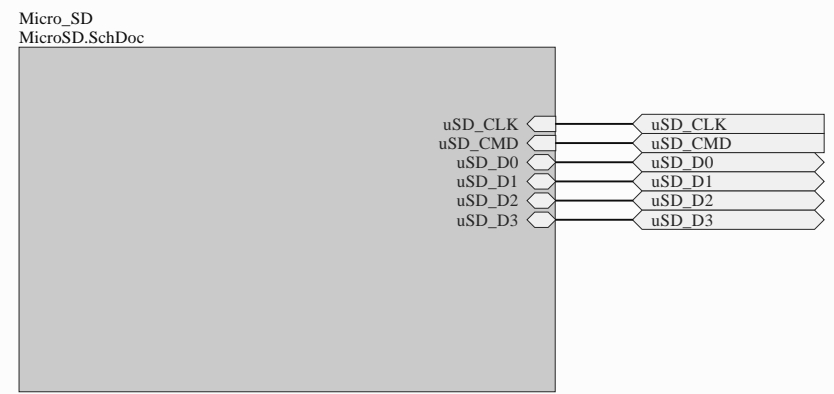
Recommendation:  
100nF decoupling capacitor for each VDD pin

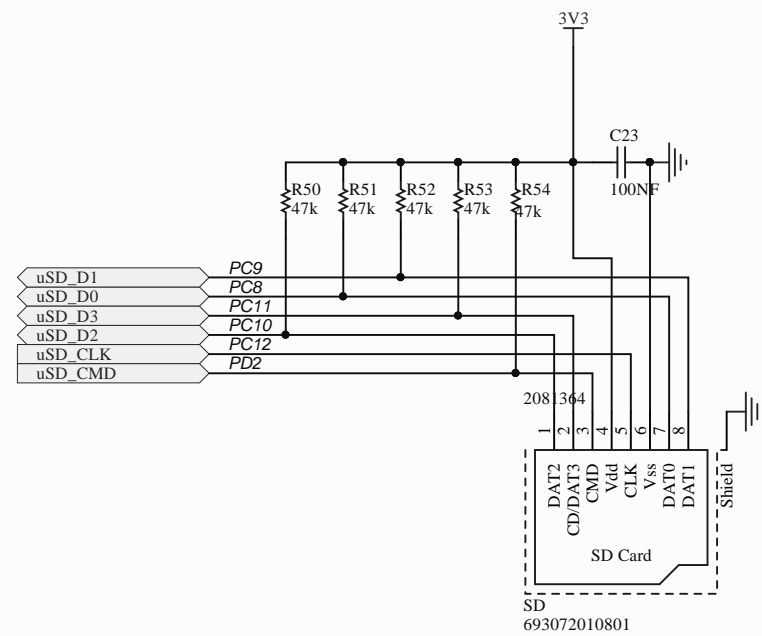


to use a supercapacitor:  
remove the jumper, and connect positive terminal  
of the supercapacitor to pin 2 of the jumper.

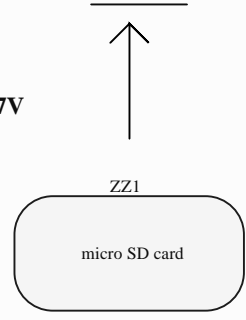
Title *			* * *
Size: A3	Number:5	Revision:*	
Date: 11/01/2019	Time: 09:50:48	Sheet5 of 17	
File: \\NASSTEP\homes\CNRS_LoRa\ConnecSensProd2\ConnecSens\MCU_Power.SchDoc			





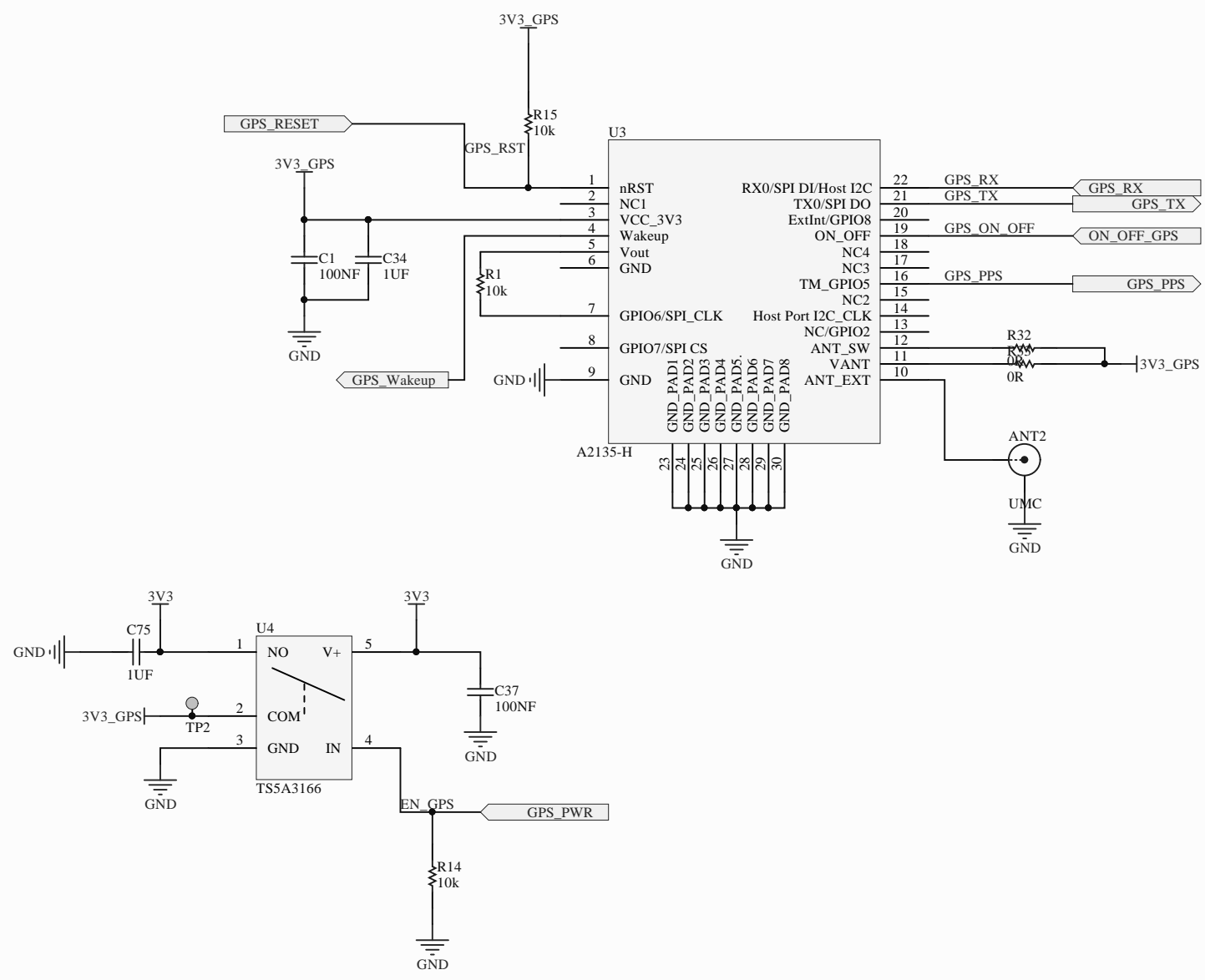


**MicroSD card**  
**Operating Voltage: VDD no Lower than 2.7V**



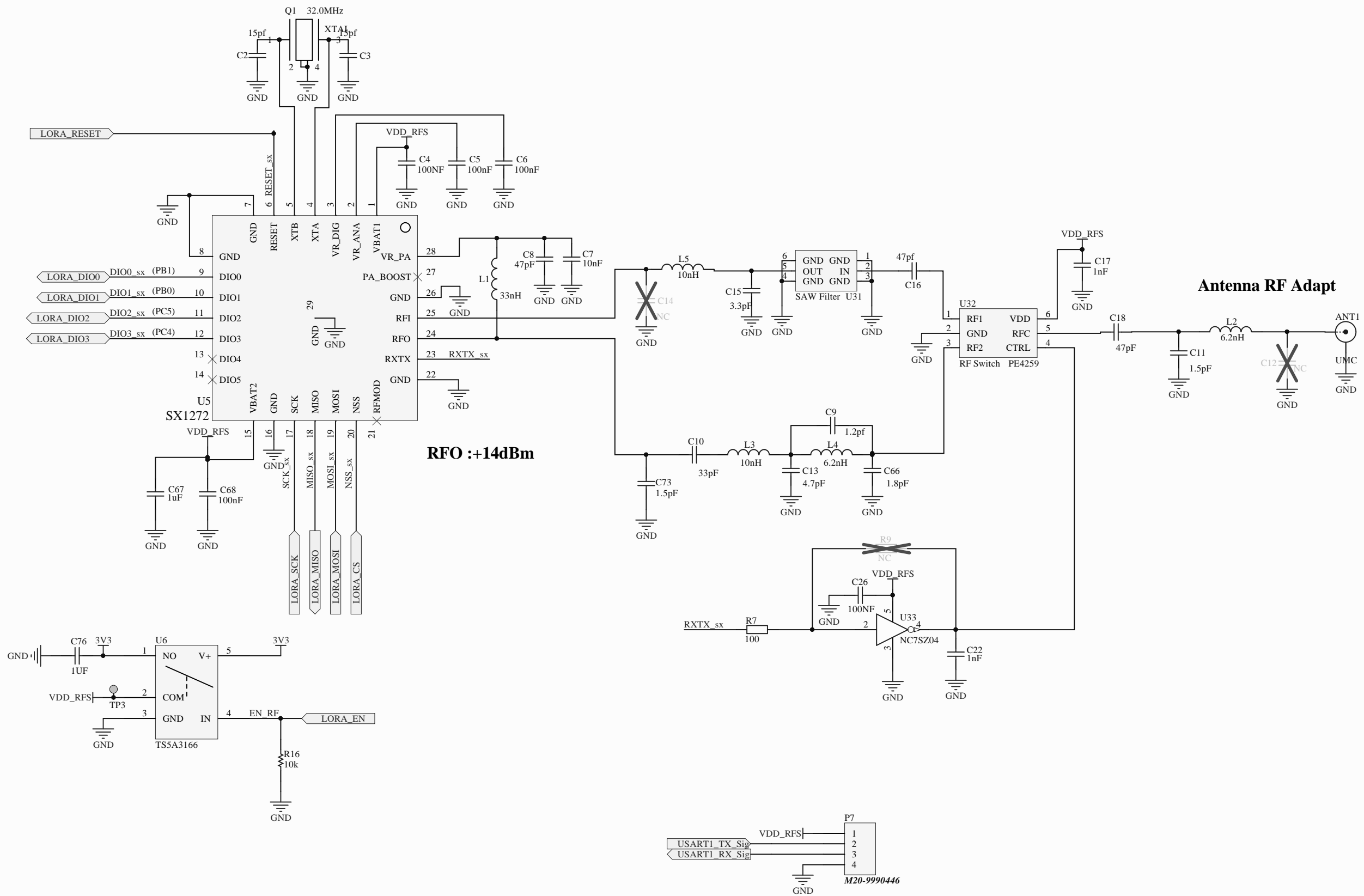






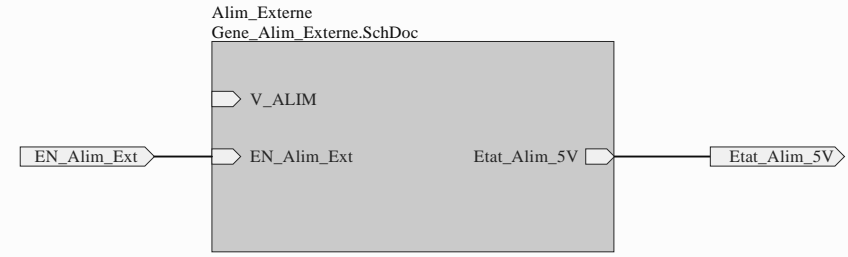
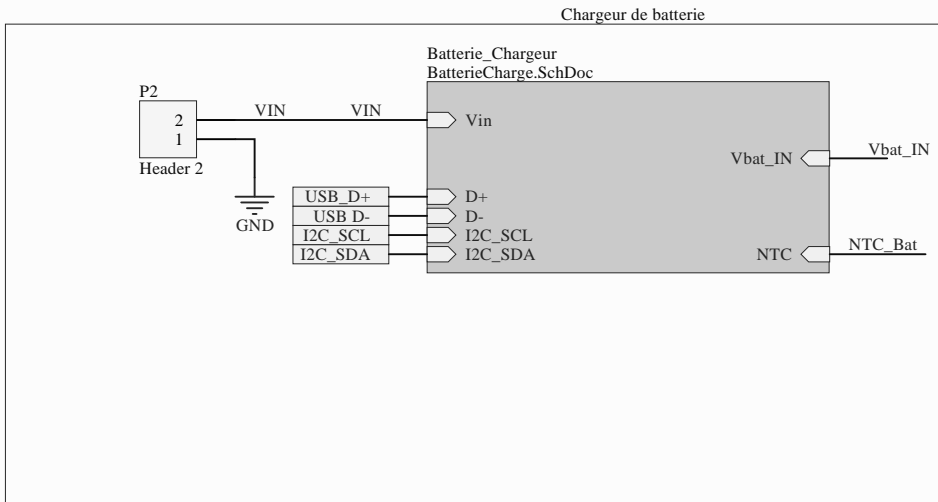
**SX1272 RF Part:**

**Antenna RF Switch:**



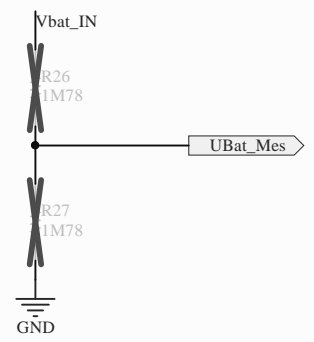
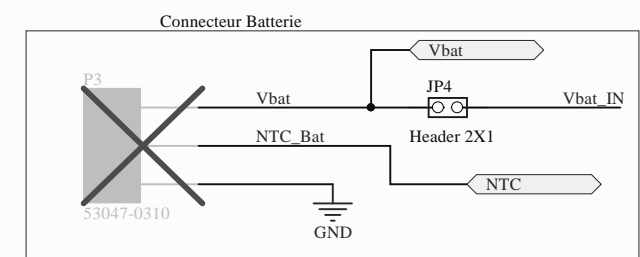
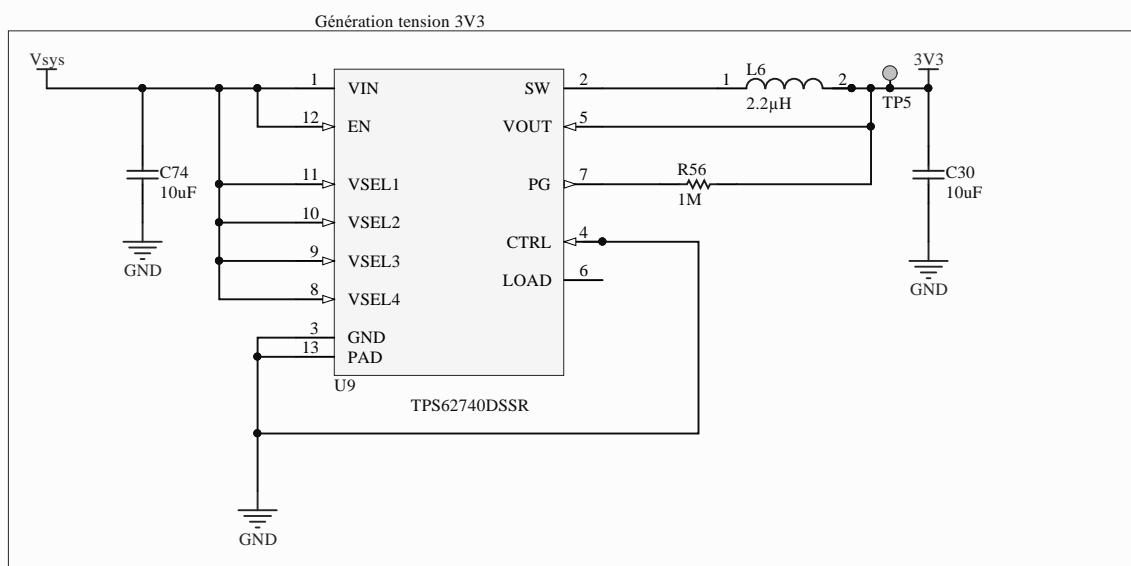
A

A



B

B

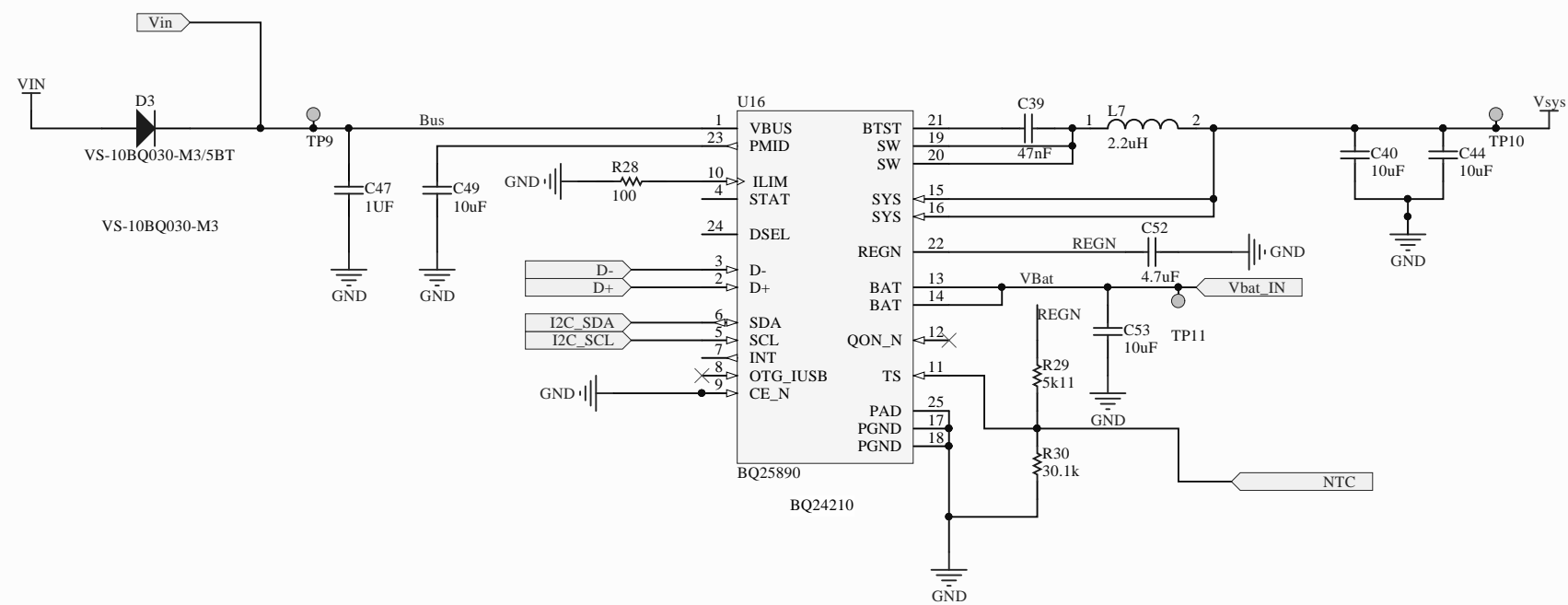


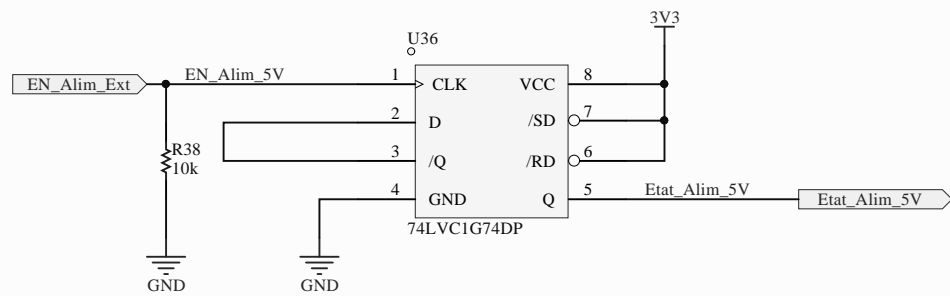
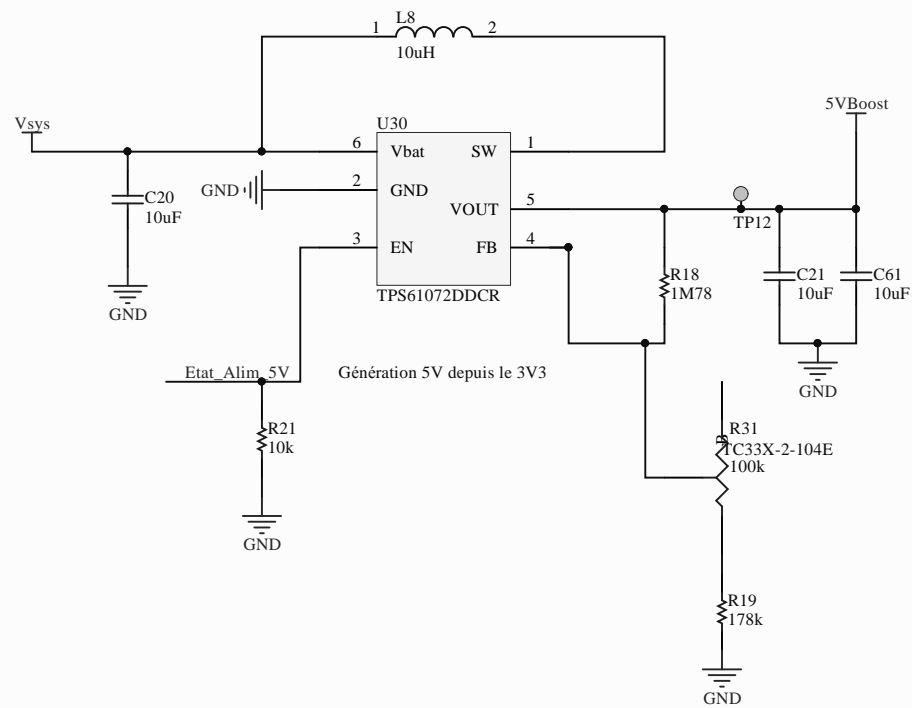
C

C

D

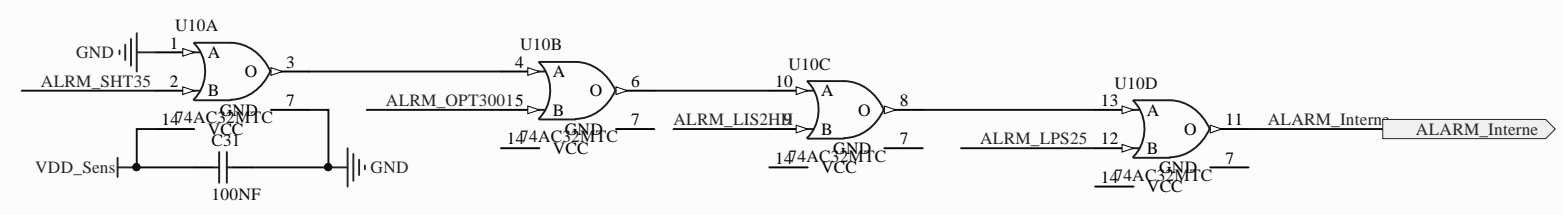
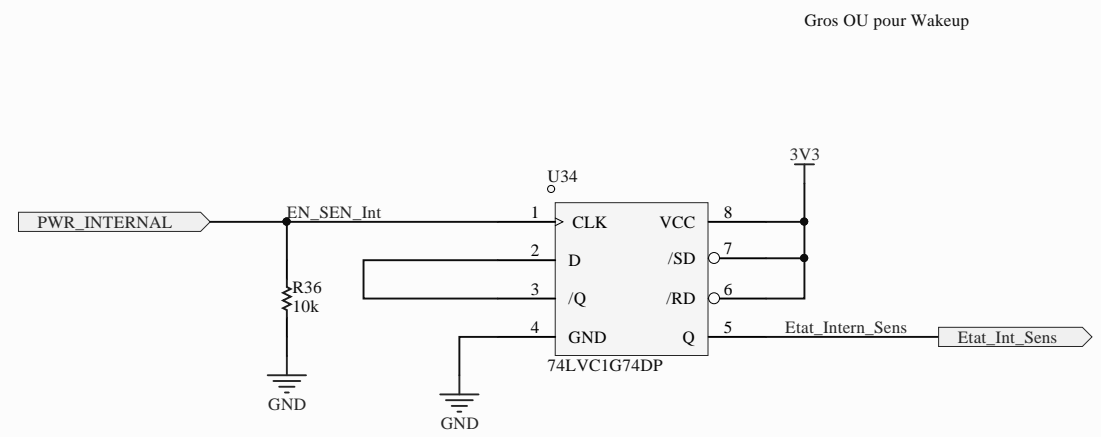
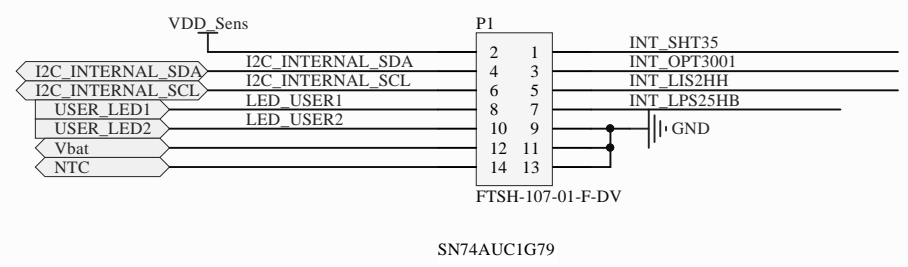
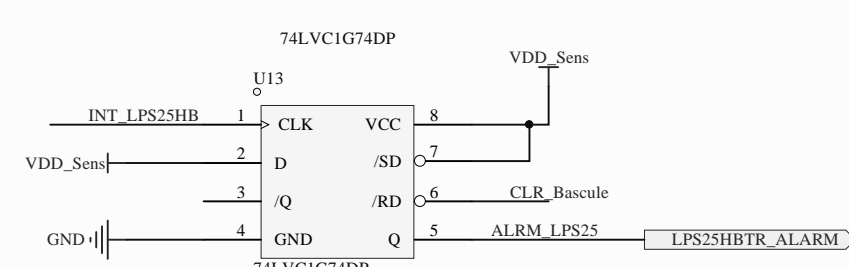
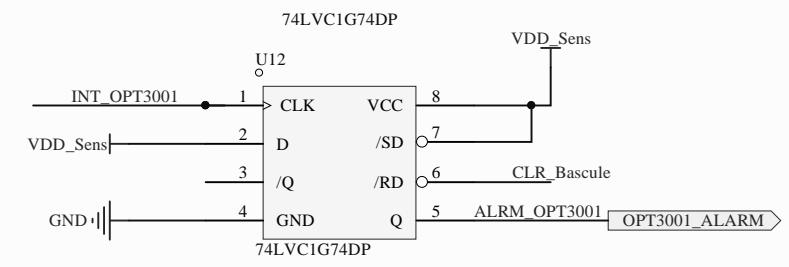
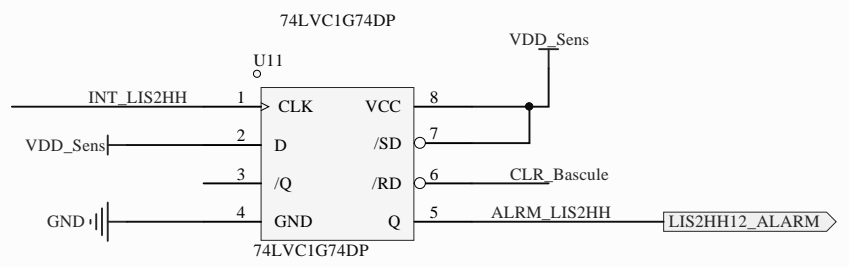
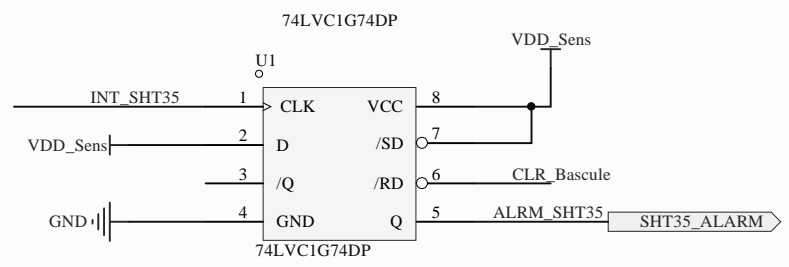
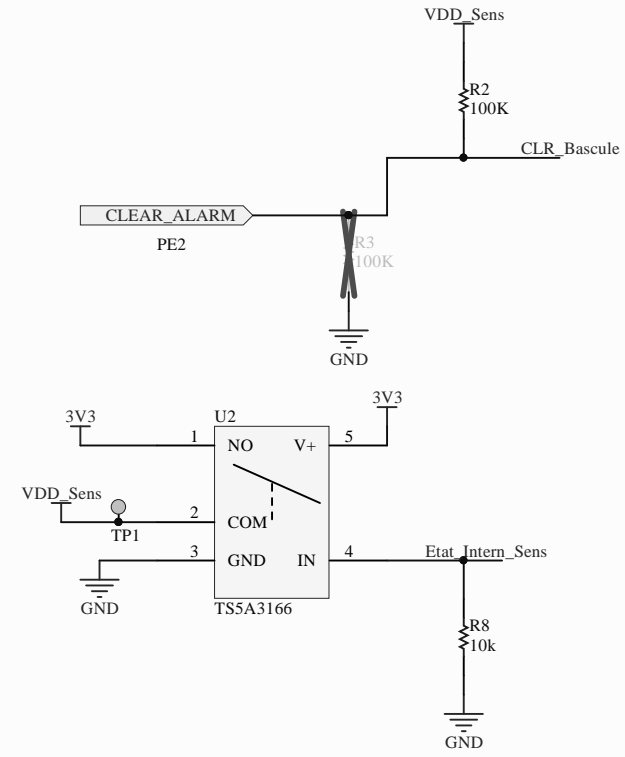
D

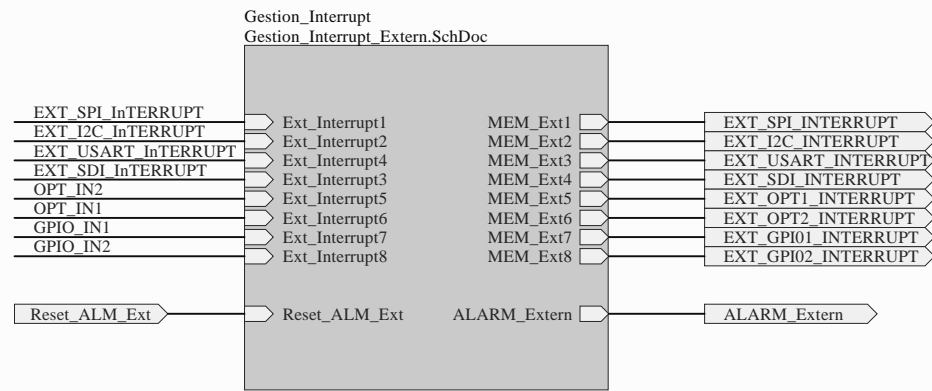
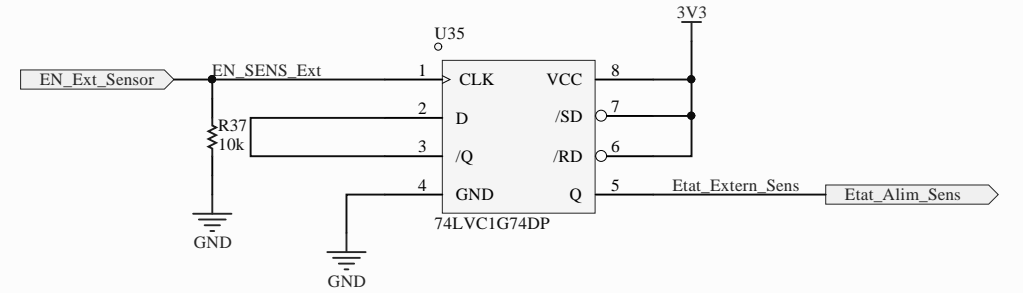
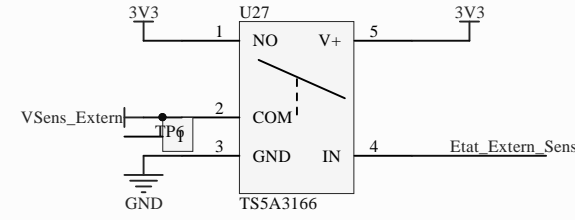
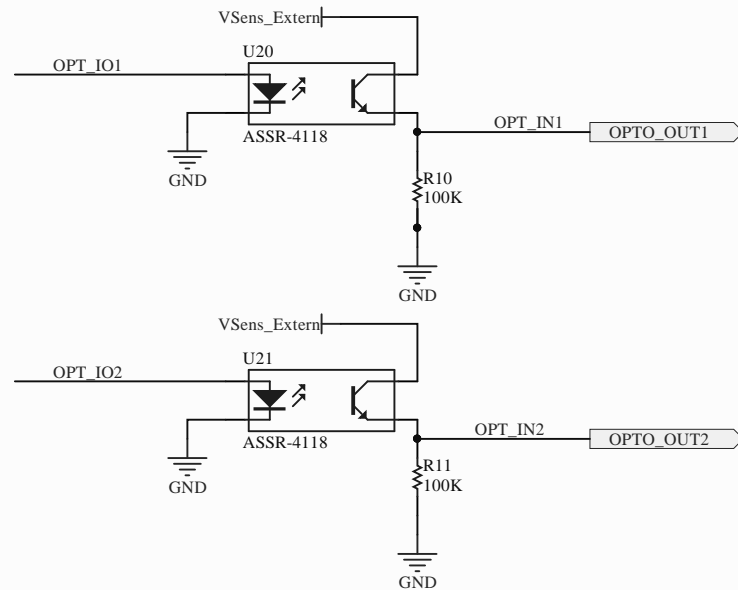
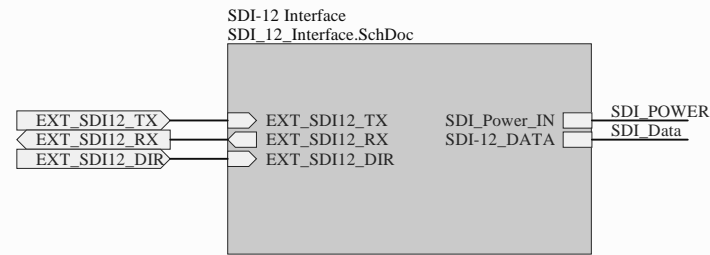
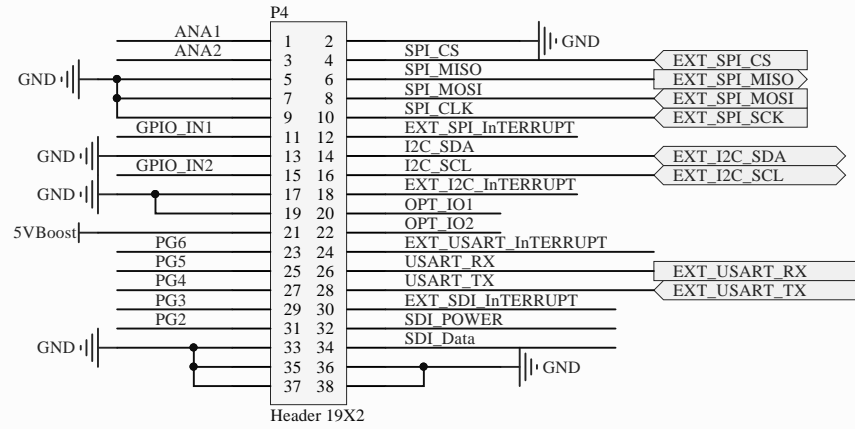
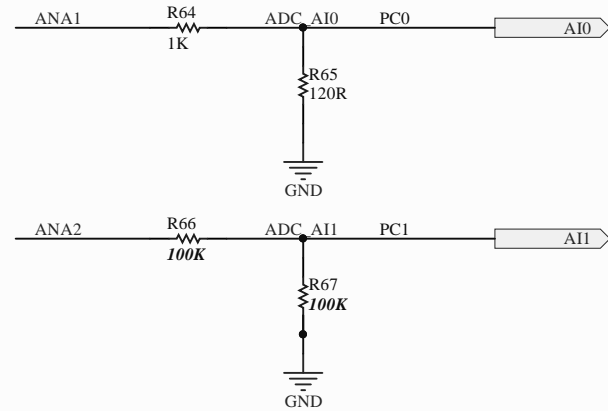




Title *			*
Size: A3	Number:13	Revision:*	*
Date: 11/01/2019	Time: 09:50:49	Sheet13 of 17	*
File: \\NASSTEP\homes\CNRS_LoRa\ConnecSensProd2\ConnecSens\Gene_Alim_Extterne.SchDoc			*







PG[2..6] PG[2..6]



